



DUCTING **PRICE LIST**



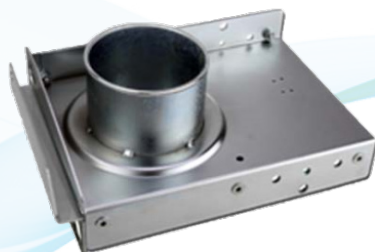
March 2022



DUCTING

PRICE LIST

6	CLAMP TOGETHER PIPE & CLAMPS
7	REDUCERS & SQUARE TO ROUNDS
8	ELBOWS
10	BRANCHES
12	SADDLE ADAPTERS & FLANGE ADAPTERS
13	END CAPS & BIRD SCREENS
14	MANUAL BLAST GATES
16	AUTOMATIC BLAST GATES
17	HOSE ADAPTERS & MACHINE ADAPTERS
18	HOSES
20	PIPE HANGERS
22	ACCESSORIES
23	SPECIAL PRODUCTS
25	MORE SERVICES



OPTION #1

NO CHARGE UP-FRONT

COIMA USA offers ducting sales and design packages. The No Charge Up-Front package includes pricing for a full ductwork package including hangers and hose with free CAD / PDF drawing provided once customer places order for the materials.

1. COIMA USA will design the system and provide price for the ducting package with hangers and hose.
2. Upon official order for materials, a CAD & PDF approval and installation drawing will be provided at no additional charge.

Alternately, we can provide a CAD / PDF drawing Service...

OPTION #2

PAY UP-FRONT (with full 100% credit after the sale)

COIMA USA will provide you with CAD and PDF drawings as well as price for the ducting, hose, and hanger package with parts list for \$75.00 per machine drop connected (Minimum Charge \$350.00).

1. A purchase order is required up front for this service.
2. The cost for the drawings will be credited in full (100% toward the purchase of the quoted COIMA USA ducting system package) once purchase order for actual materials is received.

Requirements for either option:

1. Customer to provide dimensional layout of production machines, their ductwork connection sizes and orientation, and pictures of machines / workspace. Hand sketches with dimensions are acceptable.
2. Regular dealer discount applies to materials & design service orders and selling price to end user for materials is market rate competitive.
3. Customer will have the option to make up to 2 minor changes to layout without any additional cost after first draft drawings are complete.
4. Material is shipped after drawings are approved. Signature required for approval.
5. Changes after approval of drawings will incur an additional charge.
6. Returns are allowed, freight prepaid, applies to standard parts only, and will carry a 25% restocking charge.
7. An RMA # is required in order to return all standard parts.

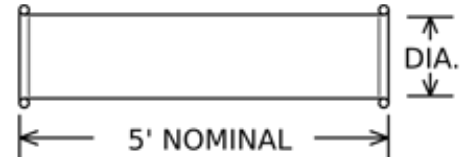
PIPE 5 FT. SECTIONS

DIA.	PART #	GA.	WT.	REG. PRICE PER 5 FT.
3"	CDPIP-03	26	4.0	\$48.99
4"	CDPIP-04	22	5.4	\$48.99
5"	CDPIP-05	22	6.7	\$53.63
6"	CDPIP-06	22	7.9	\$64.60
7"	CDPIP-07	22	11.7	\$79.13
8"	CDPIP-08	22	13.3	\$88.86
9"	CDPIP-09	22	14.9	\$96.13
10"	CDPIP-10	22	16.6	\$103.39
11"	CDPIP-11	22	18.1	\$123.94
12"	CDPIP-12	22	19.8	\$123.94
14"	CDPIP-14	20	27.3	\$159.65
16"	CDPIP-16	20	29.3	\$207.25
18"	CDPIP-18	20	34.0	\$228.42
20"	CDPIP-20	20	38.0	\$274.16
22"	CDPIP-22	20	42.0	\$303.38
24"	CDPIP-24	20	45.8	\$348.97

Pipe



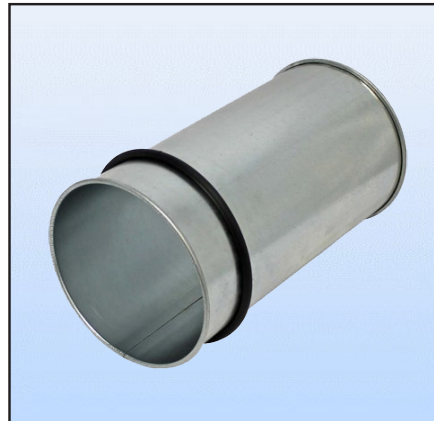
- Galvanized with rolled ends
- 5 Ft. sections
- Laser welded seam (4" - 24")
- Heavier gauges available



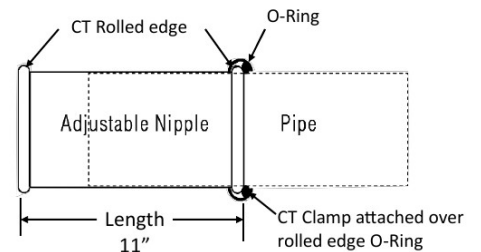
ADJUSTABLE SLEEVE W/O-RING

DIA.	PART #	GA.	WT	REG. PRICE
3"	CDSLV-03	24	0.9	\$29.67
4"	CDSLV-04	22	1.5	\$29.67
5"	CDSLV-05	22	1.8	\$30.30
6"	CDSLV-06	22	2.2	\$31.22
7"	CDSLV-07	22	2.6	\$37.40
8"	CDSLV-08	22	2.9	\$38.17
9"	CDSLV-09	22	3.3	\$40.18
10"	CDSLV-10	22	3.7	\$40.95
11"	CDSLV-11	22	4.0	\$46.83
12"	CDSLV-12	22	4.4	\$46.83
14"	CDSLV-14	20	6.0	\$63.36
16"	CDSLV-16	20	6.9	\$72.80
18"	CDSLV-18	20	7.8	\$85.00
20"	CDSLV-20	20	8.6	\$104.16
22"	CDSLV-22	20	9.5	\$123.17
24"	CDSLV-24	20	9.7	\$141.72

Adjustable Sleeve With O-Ring



- Used to provide variable length adjustment of pipe system
- Black O-Ring included
- High Temperature Red O-Ring available
- Sleeve length 11 inches



CLAMP WITH PIN

DIA.	PART #	WT.	REG. PRICE
3"	CDCLP-03	0.2	\$15.45
4"	CDCLP-04	0.2	\$16.53
5"	CDCLP-05	0.3	\$17.77
6"	CDCLP-06	0.3	\$18.39
7"	CDCLP-07	0.5	\$19.32
8"	CDCLP-08	0.5	\$19.93
9"	CDCLP-09	0.6	\$20.56
10"	CDCLP-10	0.6	\$22.41
11"	CDCLP-11	0.7	\$24.26
12"	CDCLP-12	1.3	\$24.26
14"	CDCLP-14	1.4	\$26.43
16"	CDCLP-16	1.6	\$29.20
18"	CDCLP-18	1.7	\$30.30
20"	CDCLP-20	1.9	\$31.68
22"	CDCLP-22	1.9	\$33.23
24"	CDCLP-24	2.2	\$38.17

Clamp With Pin

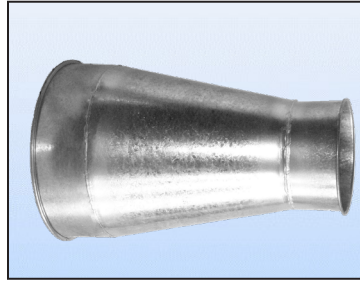


- 304 Stainless Steel Construction
- Internal gasket seal included

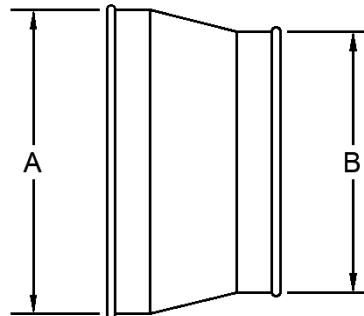
REDUCER

DIA.	PART #	GA	WT	REG. PRICE
4"	CDRED-04-XX	20	0.9	\$83.61
5"	CDRED-05-XX	20	1.2	\$85.16
6"	CDRED-06-XX	20	1.5	\$89.64
7"	CDRED-07-XX	18	2.4	\$90.25
8"	CDRED-08-XX	18	3.0	\$91.95
9"	CDRED-09-XX	18	3.6	\$104.16
10"	CDRED-10-XX	18	4.4	\$105.86
11"	CDRED-11-XX	18	5.2	\$124.72
12"	CDRED-12-XX	18	6.1	\$124.72
14"	CDRED-14-XX	18	8.3	\$148.67
16"	CDRED-16-XX	18	11.1	\$205.08
18"	CDRED-18-XX	18	14.5	\$213.89
20"	CDRED-20-XX	18	18.8	\$227.34
22"	CDRED-22-XX	18	22.4	\$259.02
24"	CDRED-24-XX	18	26.3	\$285.44

Reducer



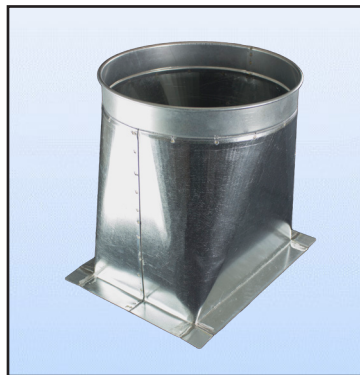
- Priced by largest end A
- Specify A and B
- Angle Flange available at additional cost



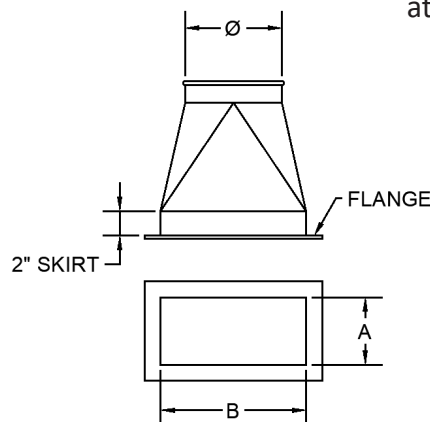
SQUARE TO ROUND TRANSITION

DIA.	PART #	GA.	WT.	REG. PRICE
4"	CDSQR-04-XX-XX	22	1.3	\$277.68
5"	CDSQR-05-XX-XX	22	1.5	\$288.07
6"	CDSQR-06-XX-XX	22	1.8	\$298.45
7"	CDSQR-07-XX-XX	22	2.0	\$317.75
8"	CDSQR-08-XX-XX	22	2.3	\$331.84
9"	CDSQR-09-XX-XX	22	2.5	\$343.70
10"	CDSQR-10-XX-XX	22	3.0	\$355.83
11"	CDSQR-11-XX-XX	22	3.5	\$362.50
12"	CDSQR-12-XX-XX	20	3.8	\$362.50
14"	CDSQR-14-XX-XX	20	4.5	\$375.60
16"	CDSQR-16-XX-XX	20	7.0	\$394.15
18"	CDSQR-18-XX-XX	20	21.0	\$406.02
20"	CDSQR-20-XX-XX	20	30.0	\$419.86
22"	CDSQR-22-XX-XX	20	39.5	\$502.22
24"	CDSQR-24-XX-XX	20	53.5	\$578.38

Square (Rect.) to Round



- Priced by round end diameter
- Specify A, B dimensions
- Square (rectangular) ends to be approximate size of round end
- Standard with 2" skirt raw edge
- Angle Flange available at additional cost



90° ELBOWS

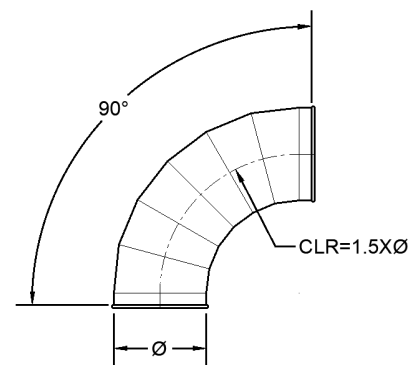
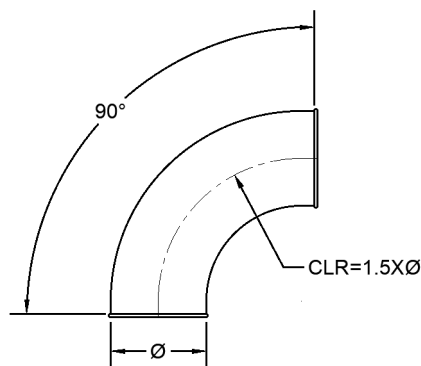
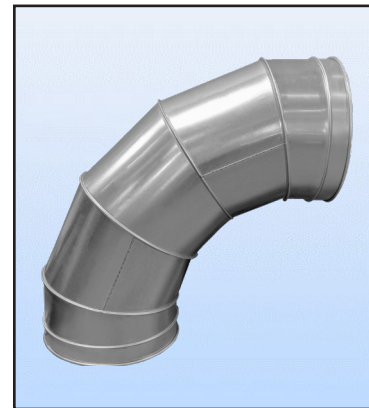
DIA.	PART #	CLR	STYLE	GA.	WT.	REG. PRICE
3"	CDE90-03	1.5	P	22	1.8	\$71.70
4"	CDE90-04	1.5	P	22	2.6	\$95.51
5"	CDE90-05	1.5	P	22	3.6	\$107.10
6"	CDE90-06	1.5	P	22	4.8	\$117.45
7"	CDE90-07	1.5	P	22	6.1	\$157.48
8"	CDE90-08	1.5	P	22	7.5	\$214.82
9"	CDE90-09	1.5	P	22	9.1	\$223.01
10"	CDE90-10	1.5	P	22	10.8	\$232.13
11"	CDE90-11	1.5	S	22	14.7	\$294.72
12"	CDE90-12	1.5	P	20	15.0	\$294.72
14"	CDE90-14	1.5	S	18	28.7	\$313.11
16"	CDE90-16	1.5	S	18	36.3	\$321.30
18"	CDE90-18	1.5	S	18	44.7	\$451.74
20"	CDE90-20	1.5	S	18	54.0	\$527.00
22"	CDE90-22	1.5	S	18	64.1	\$677.99
24"	CDE90-24	1.5	S	18	75.1	\$779.52

P= Press Formed S= Segmented CLR= Center Line Radius

90° Elbow - Press Formed



90° Elbow - Segmented



45° ELBOWS

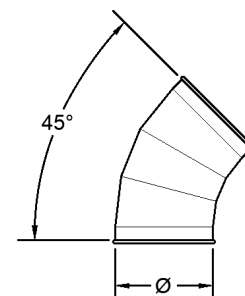
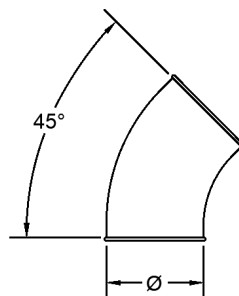
DIA.	PART #	CLR	STYLE	GA.	WT.	REG. PRICE
3"	CDE45-03	1.5	P	22	0.9	\$71.70
4"	CDE45-04	1.5	P	22	1.3	\$95.51
5"	CDE45-05	1.5	P	22	1.8	\$107.10
6"	CDE45-06	1.5	P	22	2.3	\$117.45
7"	CDE45-07	1.5	P	22	2.9	\$142.65
8"	CDE45-08	1.5	P	22	3.6	\$151.30
9"	CDE45-09	1.5	P	22	4.4	\$154.08
10"	CDE45-10	1.5	P	22	5.2	\$160.57
11"	CDE45-11	1.5	S	22	7.1	\$169.69
12"	CDE45-12	1.5	P	20	7.2	\$169.69
14"	CDE45-14	1.5	S	18	13.8	\$182.98
16"	CDE45-16	1.5	S	18	17.4	\$245.26
18"	CDE45-18	1.5	S	18	21.5	\$282.20
20"	CDE45-20	1.5	S	18	25.9	\$337.22
22"	CDE45-22	1.5	S	18	30.8	\$386.98
24"	CDE45-24	1.5	S	18	36.1	\$445.25

P= Press Formed S= Segmented CLR= Center Line Radius

45° Elbow - Press Formed



45° Elbow - Segmented

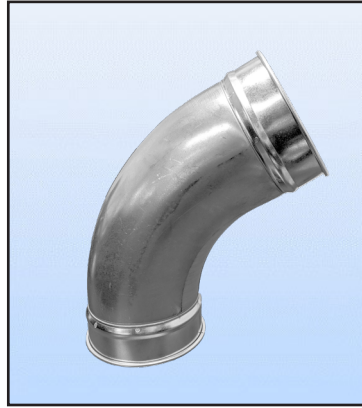


60° ELBOWS

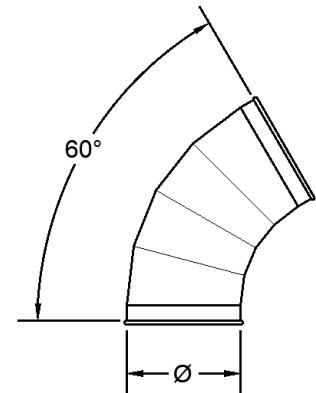
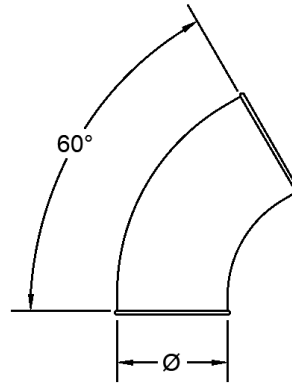
DIA.	PART #	CLR	STYLE	GA.	WT.	REG. PRICE
3"	CDE60-03	1.5	P	22	1.2	\$71.70
4"	CDE60-04	1.5	P	22	1.8	\$95.51
5"	CDE60-05	1.5	P	22	2.4	\$107.10
6"	CDE60-06	1.5	P	22	3.2	\$117.45
7"	CDE60-07	1.5	P	22	4.1	\$154.70
8"	CDE60-08	1.5	P	22	5.0	\$182.98
9"	CDE60-09	1.5	P	22	6.1	\$187.77
10"	CDE60-10	1.5	P	22	7.2	\$209.88
11"	CDE60-11	1.5	S	22	9.8	\$228.73
12"	CDE60-12	1.5	P	20	10.0	\$228.73
14"	CDE60-14	1.5	S	18	19.1	\$261.80
16"	CDE60-16	1.5	S	18	24.1	\$305.69
18"	CDE60-18	1.5	S	18	29.7	\$346.34
20"	CDE60-20	1.5	S	18	35.9	\$445.86
22"	CDE60-22	1.5	S	18	42.6	\$527.00
24"	CDE60-24	1.5	S	18	49.9	\$605.98

P= Press Formed S= Segmented CLR= Center Line Radius

60° Elbow - Press Formed



60° Elbow - Segmented



30° ELBOWS

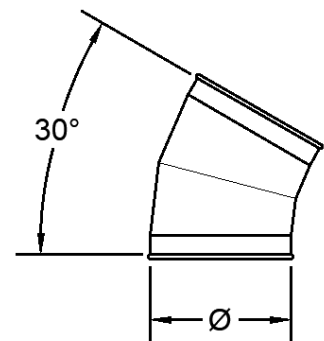
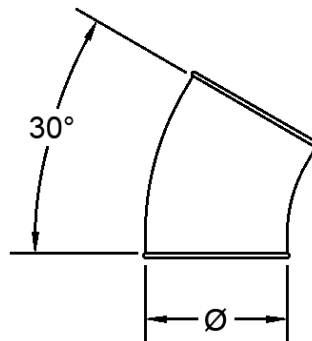
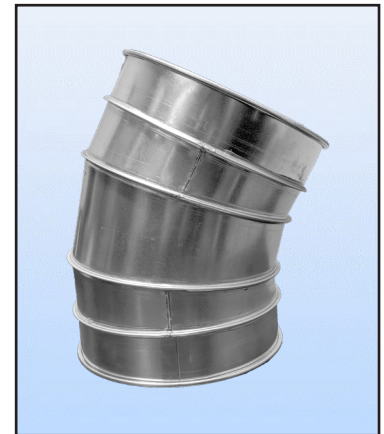
DIA.	PART #	CLR	STYLE	GA.	WT.	REG. PRICE
3"	CDE30-03	1.5	P	22	0.6	\$70.16
4"	CDE30-04	1.5	P	22	0.9	\$95.51
5"	CDE30-05	1.5	P	22	1.2	\$107.10
6"	CDE30-06	1.5	P	22	1.6	\$117.45
7"	CDE30-07	1.5	P	22	2.1	\$138.48
8"	CDE30-08	1.5	P	22	2.5	\$142.34
9"	CDE30-09	1.5	P	22	3.1	\$147.43
10"	CDE30-10	1.5	P	22	3.6	\$154.08
11"	CDE30-11	1.5	S	22	4.9	\$157.48
12"	CDE30-12	1.5	P	20	5.0	\$157.48
14"	CDE30-14	1.5	S	18	9.6	\$173.86
16"	CDE30-16	1.5	S	18	12.1	\$194.11
18"	CDE30-18	1.5	S	18	14.9	\$210.95
20"	CDE30-20	1.5	S	18	18.0	\$246.81
22"	CDE30-22	1.5	S	18	21.4	\$282.20
24"	CDE30-24	1.5	S	18	25.1	\$324.39

P= Press Formed S= Segmented CLR= Center Line Radius

30° Elbow - Press Formed



30° Elbow - Segmented



BRANCH

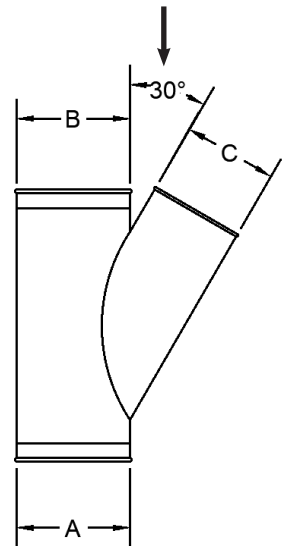
DIA.	PART #	GA.	WT.	REG. PRICE
3"	CDBRA-03-XX-XX	22	2.3	\$197.82
4"	CDBRA-04-XX-XX	22	3.0	\$197.82
5"	CDBRA-05-XX-XX	22	3.8	\$208.33
6"	CDBRA-06-XX-XX	22	4.3	\$215.28
7"	CDBRA-07-XX-XX	22	5.0	\$218.68
8"	CDBRA-08-XX-XX	22	6.0	\$223.78
9"	CDBRA-09-XX-XX	22	7.3	\$234.30
10"	CDBRA-10-XX-XX	22	8.5	\$249.90
11"	CDBRA-11-XX-XX	22	9.3	\$277.72
12"	CDBRA-12-XX-XX	20	10.8	\$277.72
14"	CDBRA-14-XX-XX	20	13.5	\$325.78
16"	CDBRA-16-XX-XX	20	17.6	\$375.08
18"	CDBRA-18-XX-XX	20	21.0	\$408.00
20"	CDBRA-20-XX-XX	20	30.0	\$491.15
22"	CDBRA-22-XX-XX	20	39.5	\$617.72
24"	CDBRA-24-XX-XX	20	53.5	\$710.30
26"	CDBRA-26-XX-XX	18	74.0	\$784.48
28"	CDBRA-28-XX-XX	18	98.0	\$1,003.00
30"	CDBRA-30-XX-XX	18	117.1	\$1,128.02

**26" & larger are flanged ends*

Single Branch



- All Branches priced by largest end A
- Specify A, B, C
- Additional cost for flange(s) less than 26"
- 30-degree tap standard, 45 degree optional



Y-BRANCH (PANT LEG DESIGN)

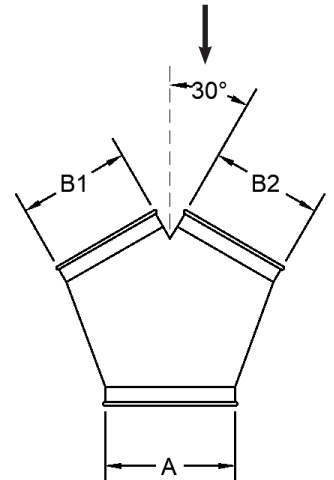
DIA.	PART #	GA.	WT.	REG. PRICE
3"	CDBRY-03-XX-XX	22	1.5	\$254.39
4"	CDBRY-04-XX-XX	22	1.8	\$254.39
5"	CDBRY-05-XX-XX	22	2.0	\$268.14
6"	CDBRY-06-XX-XX	22	2.8	\$279.42
7"	CDBRY-07-XX-XX	22	3.3	\$287.61
8"	CDBRY-08-XX-XX	22	4.5	\$300.28
9"	CDBRY-09-XX-XX	22	5.3	\$315.74
10"	CDBRY-10-XX-XX	22	6.8	\$321.76
11"	CDBRY-11-XX-XX	22	8.0	\$369.52
12"	CDBRY-12-XX-XX	20	10.3	\$369.52
14"	CDBRY-14-XX-XX	20	14.0	\$444.93
16"	CDBRY-16-XX-XX	20	17.0	\$494.85
18"	CDBRY-18-XX-XX	20	20.0	\$549.72
20"	CDBRY-20-XX-XX	20	24.5	\$654.03
22"	CDBRY-22-XX-XX	20	29.0	\$751.25
24"	CDBRY-24-XX-XX	20	36.0	\$864.22
26"	CDBRY-26-XX-XX	18	69.0	\$993.57
28"	CDBRY-28-XX-XX	18	93.0	\$1,141.63
30"	CDBRY-30-XX-XX	18	112.0	\$1,255.07

**26" & larger are flanged ends*

Y-Branch



- All Branches priced by largest end A
- Specify A, B1 & B2
- Additional cost for flange(s) less than 26"
- 30-degree tap standard, 45 degree optional



DOUBLE BRANCH

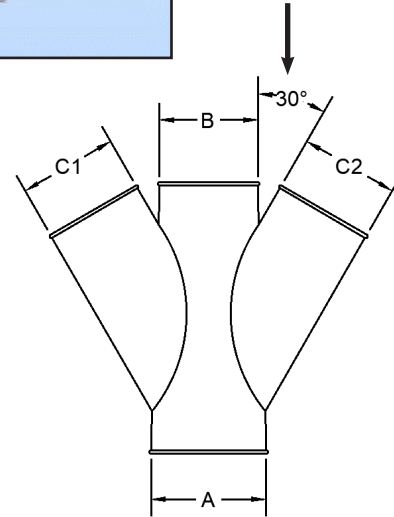
DIA.	PART #	GA.	WT.	REG. PRICE
3"	CDBRD-03-XX-XX-XX	22	2.6	\$253.15
4"	CDBRD-04-XX-XX-XX	22	3.5	\$253.15
5"	CDBRD-05-XX-XX-XX	22	4.4	\$266.75
6"	CDBRD-06-XX-XX-XX	22	5.0	\$278.18
7"	CDBRD-07-XX-XX-XX	22	6.0	\$286.22
8"	CDBRD-08-XX-XX-XX	22	7.3	\$299.20
9"	CDBRD-09-XX-XX-XX	22	8.5	\$314.03
10"	CDBRD-10-XX-XX-XX	22	10.0	\$320.38
11"	CDBRD-11-XX-XX-XX	22	10.8	\$367.51
12"	CDBRD-12-XX-XX-XX	22	12.3	\$367.51
14"	CDBRD-14-XX-XX-XX	20	15.0	\$442.61
16"	CDBRD-16-XX-XX-XX	20	19.6	\$492.53
18"	CDBRD-18-XX-XX-XX	20	26.0	\$547.25
20"	CDBRD-20-XX-XX-XX	20	35.0	\$651.10
22"	CDBRD-22-XX-XX-XX	20	49.5	\$747.84
24"	CDBRD-24-XX-XX-XX	20	68.4	\$860.05
26"	CDBRD-26-XX-XX-XX	18	104.0	\$988.78
28"	CDBRD-28-XX-XX-XX	18	128.0	\$1,136.38
30"	CDBRD-30-XX-XX-XX	18	153.0	\$1,249.19

**26" & larger are flanged ends*

Double Branch



- All Branches priced largest end A
- Specify A, B, C1, C2
- Additional cost for flange(s) less than
- 30-degree tap standard, 45 degree optional

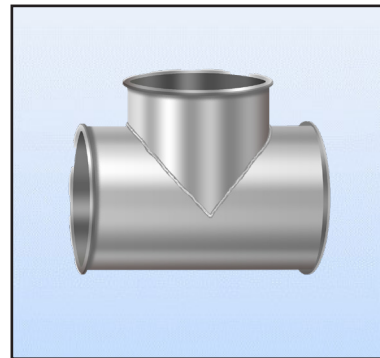


T-BRANCH

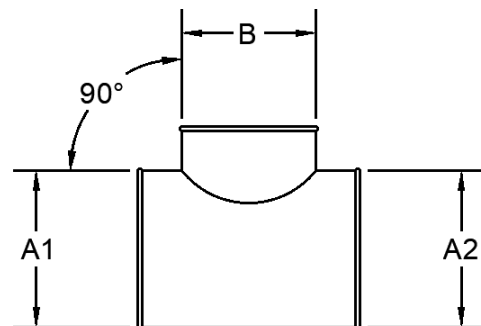
DIA.	PART #	GA.	WT.	REG. PRICE
3"	CDBRT-03-XX	22	1.5	\$200.91
4"	CDBRT-04-XX	22	2.0	\$200.91
5"	CDBRT-05-XX	22	2.8	\$211.11
6"	CDBRT-06-XX	22	3.2	\$218.22
7"	CDBRT-07-XX	22	4.0	\$221.61
8"	CDBRT-08-XX	22	4.8	\$227.18
9"	CDBRT-09-XX	22	5.5	\$237.39
10"	CDBRT-10-XX	22	6.0	\$253.15
11"	CDBRT-11-XX	22	7.5	\$281.43
12"	CDBRT-12-XX	22	8.8	\$281.43
14"	CDBRT-14-XX	20	12.0	\$330.57
16"	CDBRT-16-XX	20	14.0	\$380.18
18"	CDBRT-18-XX	20	18.3	\$413.57
20"	CDBRT-20-XX	20	20.5	\$497.94
22"	CDBRT-22-XX	20	24.8	\$626.22
24"	CDBRT-24-XX	20	29.0	\$720.34
26"	CDBRT-26-XX	18	40.3	\$795.44
28"	CDBRT-28-XX	18	45.0	\$1,017.07
30"	CDBRT-30-XX	18	58.5	\$1,143.64

**26" & larger are flanged ends*

T-Branch



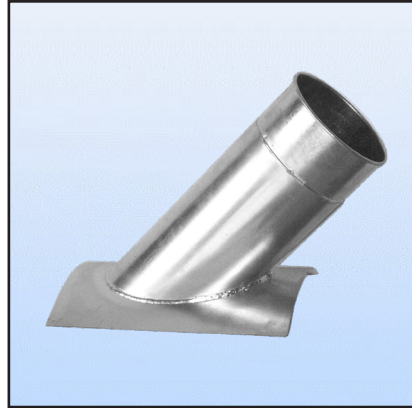
- All Branches priced by largest end
- Specify A and B
- Both A ends are the same
- Additional cost for flange(s) less than 26"



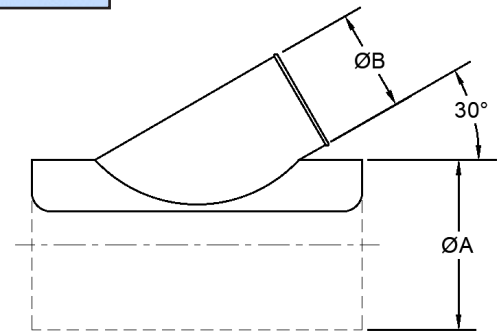
IN-CUT SADDLE

DIA.	PART #	GA	WT	REG. PRICE
3"	CDICS-XX-03	18	1.1	\$89.48
4"	CDICS-XX-04	18	1.4	\$89.48
5"	CDICS-XX-05	18	1.7	\$91.65
6"	CDICS-XX-06	18	2.0	\$98.44
7"	CDICS-XX-07	18	2.3	\$104.16
8"	CDICS-XX-08	18	2.7	\$109.11
9"	CDICS-XX-09	18	3.3	\$113.90
10"	CDICS-XX-10	18	3.8	\$123.17
11"	CDICS-XX-11	18	4.2	\$132.60
12"	CDICS-XX-12	18	4.9	\$132.60
14"	CDICS-XX-14	18	5.4	\$150.07
16"	CDICS-XX-16	18	6.9	\$169.23
18"	CDICS-XX-18	18	8.3	\$187.77
20"	CDICS-XX-20	18	11.8	\$298.58
22"	CDICS-XX-22	18	15.8	\$410.78
24"	CDICS-XX-24	18	21.3	\$472.75

In-Cut Saddle



- Priced by B diameter
- Specify B diameter, A pipe diameter & angle
- Standard rolled end on leg
- Additional cost for flanged end



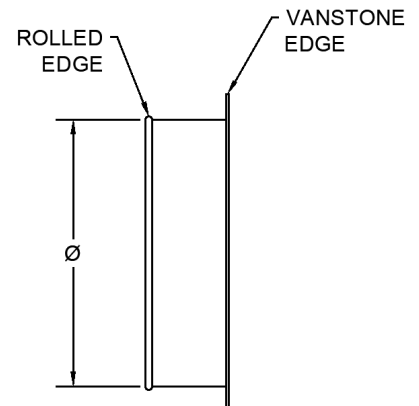
ANGLE FLANGE ADAPTER

DIA.	PART #	APPROX LENGTH	GA	WT	REG. PRICE
3"	CDAFL-03	5.0	24	1.3	\$77.74
4"	CDAFL-04	3.5	24	1.4	\$77.74
5"	CDAFL-05	3.5	24	1.8	\$81.75
6"	CDAFL-06	3.5	24	2.3	\$97.83
7"	CDAFL-07	3.5	22	3.1	\$105.70
8"	CDAFL-08	3.5	22	3.5	\$110.03
9"	CDAFL-09	3.5	22	3.9	\$123.17
10"	CDAFL-10	3.5	22	4.8	\$129.82
11"	CDAFL-11	3.5	22	5.3	\$143.89
12"	CDAFL-12	5.0	22	6.1	\$143.89
13"	CDAFL-13	5.0	20	6.8	\$150.07
14"	CDAFL-14	5.0	20	7.8	\$150.07
15"	CDAFL-15	5.0	20	10.4	\$163.20
16"	CDAFL-16	5.0	20	11.5	\$163.20
18"	CDAFL-18	5.0	20	12.2	\$176.95
20"	CDAFL-20	5.0	20	14.1	\$188.08
22"	CDAFL-22	5.0	20	15.8	\$201.38
24"	CDAFL-24	5.0	20	17.6	\$231.51

Angle Flange Adapter



- Angle Ring Flange standard (Galv.)
- Standard Bolt Pattern
- Optional flat flange
- Specify hole pattern for custom part (available at additional price)



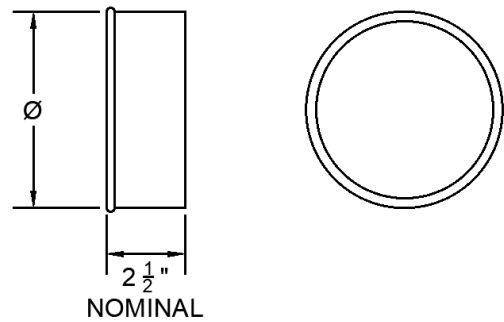
END CAP

DIA.	PART #	GA.	WT.	REG. PRICE
3"	CDEND-03	18	0.3	\$25.50
4"	CDEND-04	18	0.4	\$25.50
5"	CDEND-05	18	0.5	\$27.51
6"	CDEND-06	18	0.7	\$31.07
7"	CDEND-07	18	0.9	\$34.93
8"	CDEND-08	18	1.1	\$36.93
9"	CDEND-09	18	1.4	\$40.34
10"	CDEND-10	18	1.7	\$42.19
11"	CDEND-11	18	1.9	\$44.51
12"	CDEND-12	18	2.1	\$44.51
14"	CDEND-14	18	3.1	\$47.44
16"	CDEND-16	18	4.0	\$49.92
18"	CDEND-18	18	4.9	\$53.01
20"	CDEND-20	18	5.5	\$56.41
22"	CDEND-22	18	6.3	\$58.11
24"	CDEND-24	18	7.9	\$67.23

End Cap



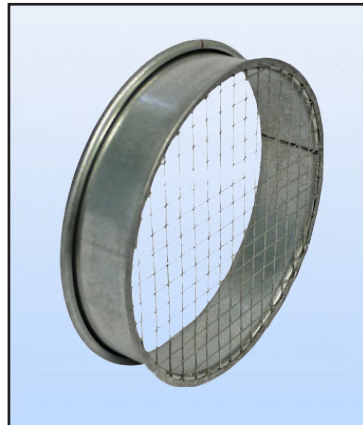
- End Caps enable users to close off taps for future use
- End Caps larger than 24" will be a flat plate and angle rings (call for pricing)



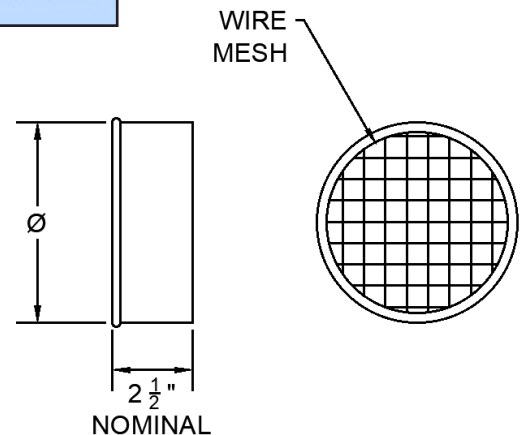
END CAP WITH BIRD SCREEN

DIA.	PART #	GA.	WT.	REG. PRICE
3"	CDEBS-03	18	0.3	\$64.44
4"	CDEBS-04	18	0.3	\$64.44
5"	CDEBS-05	18	0.4	\$67.23
6"	CDEBS-06	18	0.5	\$69.70
7"	CDEBS-07	18	0.6	\$74.49
8"	CDEBS-08	18	0.7	\$76.34
9"	CDEBS-09	18	0.8	\$79.75
10"	CDEBS-10	18	0.9	\$81.44
11"	CDEBS-11	18	1.0	\$84.07
12"	CDEBS-12	18	1.0	\$84.07
14"	CDEBS-14	18	1.3	\$86.70
16"	CDEBS-16	18	1.5	\$88.86
18"	CDEBS-18	18	1.8	\$92.57
20"	CDEBS-20	18	1.9	\$95.51
22"	CDEBS-22	18	2.1	\$97.52
24"	CDEBS-24	18	2.9	\$111.89

End Cap With Bird Screen



- End Caps with bird screen 1/2" wire mesh
- End Caps larger than 24" will have flanges and expanded metal (call for pricing)

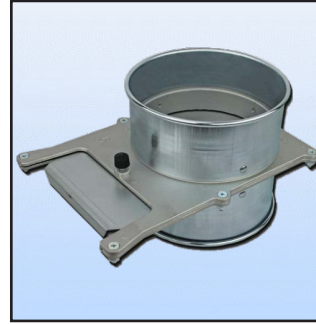


MANUAL BLAST GATE CAST ALUMINUM

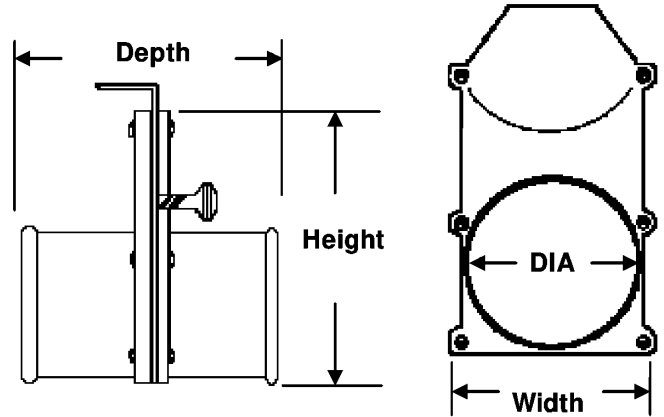
DIA.	PART #	WIDTH	HGT.	DEPTH	WT.	REG. PRICE
3"	CDBGA-03	4.01	5.61	6.18	1.4	\$60.89
4"	CDBGA-04	5.00	6.86	5.66	1.8	\$60.89
5"	CDBGA-05	6.00	8.00	5.17	2.4	\$63.36
6"	CDBGA-06	7.00	10.00	5.70	3.4	\$83.30
7"	CDBGA-07	8.00	11.25	5.06	4.4	\$98.60
8"	CDBGA-08	9.63	12.63	5.82	5.6	\$116.68
9"	CDBGA-09	10.62	13.60	5.33	7.6	\$161.50
10"	CDBGA-10	11.38	14.38	5.99	8.4	\$205.24
11"	CDBGA-11	12.31	15.38	5.42	7.4	\$266.43
12"	CDBGA-12	13.25	16.25	6.06	10.4	\$266.43
14"	CDBGA-14	15.76	18.97	6.26	14.2	\$394.56
16"	CDBGA-16	17.90	21.28	5.97	18.4	\$574.14
18"	CDBGA-18	20.23	32.82	9.04	22.4	\$729.45
20"	CDBGA-20	22.37	34.25	9.16	26.4	\$903.78
22"	CDBGA-22	24.60	34.21	9.11	30.0	\$986.61
24"	CDBGA-24	26.65	34.38	9.15	34.4	\$1,165.89
26"	CDBGA-26	29.25	CALL	CALL	62.0	\$2,225.45
28"	CDBGA-28	30.25	CALL	CALL	72.0	\$2,575.97
30"	CDBGA-30	33.25	CALL	CALL	97.0	\$3,161.53

**26" & larger are flanged ends*

Die Cast Aluminum BG



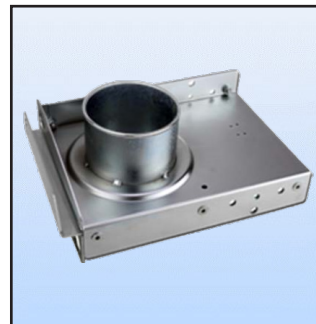
- Manually operated
- Aluminum body, galvanized blade
- Clamp together rolled end collars



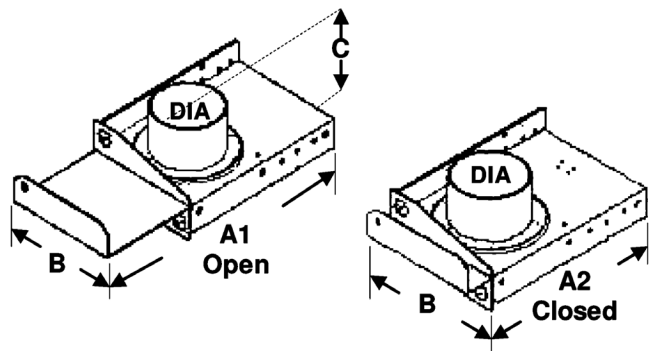
GALVANIZED AIR SEAL MANUAL BLAST GATE W/ UHMW SEALS

DIA.	PART #	A1 INCH	A2 INCH	B INCH	C INCH	WT. GALV.	REG. PRICE
3"	CDBAS-03RE	14.56	9.68	6.00	5.86	4.8	\$573.52
4"	CDBAS-04RE	15.43	11.31	7.00	5.83	6.2	\$573.52
5"	CDBAS-05RE	18.31	11.37	7.93	5.84	7.8	\$605.98
6"	CDBAS-06RE	21.43	15.31	8.93	5.94	9.4	\$622.82
7"	CDBAS-07RE	23.43	15.31	9.00	5.68	15.0	\$668.57
8"	CDBAS-08RE	29.06	19.94	10.87	6.06	14.0	\$691.28
9"	CDBAS-09RE	31.06	21.00	12.00	5.68	28.0	\$734.09
10"	CDBAS-10RE	33.06	23.68	14.62	5.79	27.0	\$819.40
12"	CDBAS-12RE	40.18	28.19	16.56	5.79	35.8	\$848.76
14"	CDBAS-14RE	47.50	33.50	17.88	6.68	41.8	\$871.94
16"	CDBAS-16RE	53.50	37.50	19.88	6.68	47.8	\$927.43
18"	CDBAS-18RE	59.50	41.50	21.88	6.68	53.8	\$1,006.85
20"	CDBAS-20RE	65.50	45.50	23.88	6.68	59.8	\$1,104.89
22"	CDBAS-22RE	71.50	49.50	25.88	6.68	65.8	\$1,188.42

UHMW Galvanized Sealed Blast Gate



- Very low leakage
- Self-cleaning for dust & fumes
- Galv. construction with rolled ends
- Internal UHMW (ultra-high molecular weight) seals

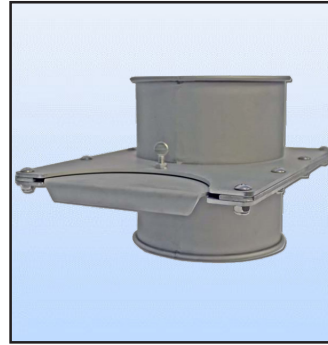


BLAST GATE ALL 304 STAINLESS

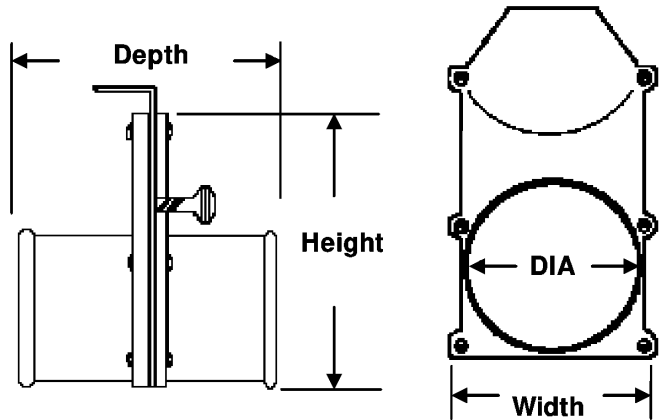
DIA.	PART #	WIDTH	HGT.	DEPTH	WT.	REG. PRICE
3"	CDBGS-03	5.0	6.0	5.3	1.5	\$268.75
4"	CDBGS-04	6.0	7.5	5.3	2.3	\$268.75
5"	CDBGS-05	7.0	10.5	5.0	3.0	\$315.27
6"	CDBGS-06	8.0	11.0	5.0	3.8	\$428.09
7"	CDBGS-07	9.0	12.0	5.0	4.5	\$448.65
8"	CDBGS-08	10.0	13.5	5.0	5.5	\$455.44
9"	CDBGS-09	11.0	15.0	5.0	7.0	\$586.50
10"	CDBGS-10	12.0	17.0	5.0	7.5	\$633.17
11"	CDBGS-11	13.0	19.0	5.0	9.5	\$800.39
12"	CDBGS-12	14.0	20.5	5.0	13.0	\$800.39
14"	CDBGS-14	16.0	23.3	5.0	16.0	\$924.65
16"	CDBGS-16	CALL	CALL	CALL	21.2	\$1,718.55
18"	CDBGS-18	CALL	CALL	CALL	25.0	\$1,894.73
20"	CDBGS-20	CALL	CALL	CALL	30.0	\$2,749.36
22"	CDBGS-22	CALL	CALL	CALL	34.0	\$2,822.00
24"	CDBGS-24	CALL	CALL	CALL	38.0	\$2,902.36
26"	CDBGS-26	CALL	CALL	CALL	62.0	CALL
28"	CDBGS-28	CALL	CALL	CALL	72.0	CALL
30"	CDBGS-30	CALL	CALL	CALL	97.0	CALL

**26" & larger are flanged ends*

304 Stainless Blast Gate



- Manually operated
- All 304 Stainless Steel
- 12-gauge stainless body, 12 gauge slide blade
- Clamp together rolled end collars



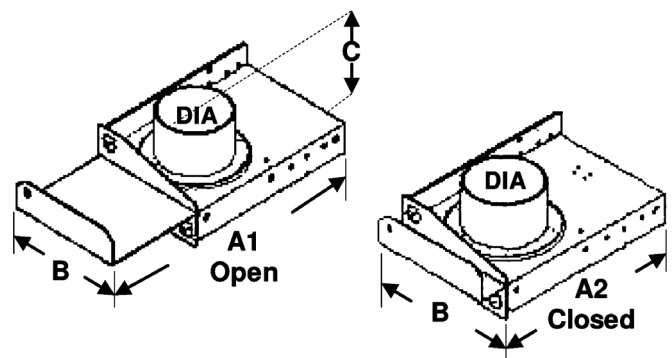
STAINLESS STEEL AIR SEAL MANUAL BLAST GATE W/ UHMW SEALS

DIA.	PART #	A1 INCH	A2 INCH	B INCH	C INCH	WT. SS 304	REG. PRICE
3"	CDBSS-03	14.56	9.68	6.00	5.86	4.8	\$983.52
4"	CDBSS-04	15.43	11.31	7.00	5.83	6.2	\$983.52
5"	CDBSS-05	18.31	11.37	7.93	5.84	7.8	\$1,039.78
6"	CDBSS-06	21.43	15.31	8.93	5.94	9.4	\$1,067.91
7"	CDBSS-07	23.43	15.31	9.00	5.68	15.0	\$1,146.42
8"	CDBSS-08	29.06	19.94	10.87	6.06	14.0	\$1,185.67
9"	CDBSS-09	31.06	21.00	12.00	5.68	28.0	\$1,258.93
10"	CDBSS-10	33.06	23.68	14.62	5.79	27.0	\$1,404.98
12"	CDBSS-12	40.18	28.19	16.56	5.79	35.8	\$1,455.51
14"	CDBSS-14	47.50	33.50	17.88	6.68	41.8	\$1,494.92
16"	CDBSS-16	53.50	37.50	19.88	6.68	47.8	\$1,568.48
18"	CDBSS-18	59.50	41.50	21.88	6.68	53.8	\$1,613.11
20"	CDBSS-20	65.50	45.50	23.88	6.68	59.8	\$1,791.27
22"	CDBSS-22	71.50	49.50	25.88	6.68	65.8	\$1,930.92

UHMW Stainless Sealed Blast Gate



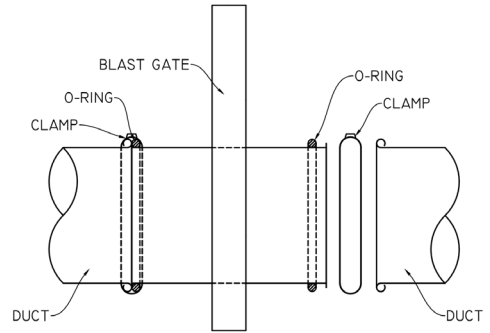
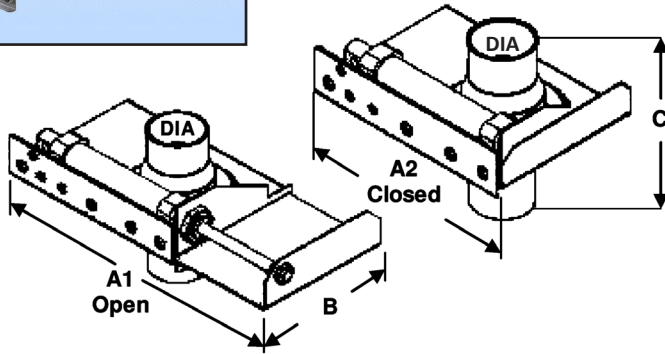
- Very low leakage
- Self-cleaning for dust & fumes
- 304 Stainless with rolled ends
- Internal UHMW (ultra-high molecular weight) seals



Automatic Galvanized Pneumatic Blast Gate



- UHMW (Ultra High Molecular Weight) seals
- Very low leakage
- Designed for dust & fumes
- Specify 120VAC or 24VDC voltage for solenoid
- Single cylinder 3" to 7"
- Double cylinder 8" to 24"
- Galvanized steel construction
- Adapts to clamp duct



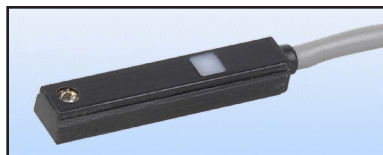
AUTOMATIC GALVANIZED AIR SEAL PNEUMATIC BLAST GATE W/ UHMW SEALS

DIA.	PART #	CYL	A2 INCH	A1 INCH	B INCH	C INCH	WT.	REG. PRICE
3"	CDABG-3	1	11.4	15.7	7.0	19.0	11.1	\$886.91
4"	CDABG-4	1	11.4	15.7	7.0	5.0	8.0	\$712.09
5"	CDABG-5	1	12.9	18.1	7.8	5.0	9.0	\$757.91
6"	CDABG-6	1	15.3	21.2	9.0	5.0	12.0	\$771.00
7"	CDABG-7	1	19.2	27.5	11.0	19.0	22.7	\$1,237.09
8"	CDABG-8	2	19.2	27.5	11.0	5.0	17.0	\$1,039.64
9"	CDABG-9	2	23.2	33.0	12.9	19.0	31.4	\$1,414.91
10"	CDABG-10	2	23.2	33.0	12.9	5.0	24.0	\$1,188.55
12"	CDABG-12	2	27.1	38.9	14.9	5.0	33.0	\$1,301.45
14"	CDABG-14	2	47.5	33.5	17.9	6.7	41.8	\$1,640.59
16"	CDABG-16	2	53.5	37.5	19.9	6.7	27.8	\$1,853.05
18"	CDABG-18	2	59.5	41.5	21.9	6.7	53.8	\$1,989.55
20"	CDABG-20	2	65.5	45.5	23.9	6.7	59.8	\$2,156.45
22"	CDABG-22	2	71.5	49.5	25.9	6.7	65.8	\$2,232.27
24"	CDABG-24	2	77.5	53.5	27.9	6.7	71.8	\$2,337.55

Stainless steel available
All cylinders have internal magnets

REED SWITCH KIT

PART #	PRICE (SET OF 2)
CDRSK-02	\$93.50

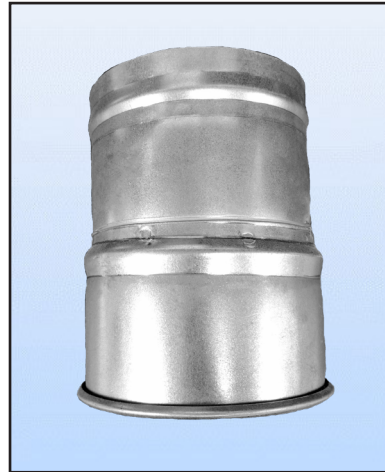


- Senses when Blast Gate is open/closed
- Available with all automatic Blast Gates

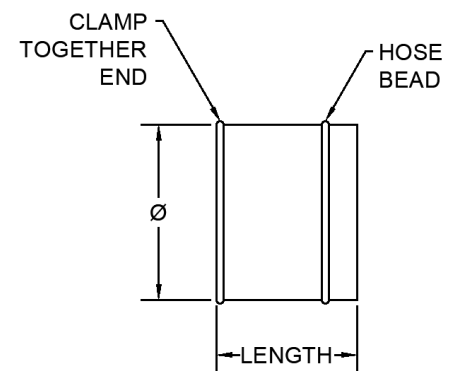
HOSE ADAPTER

DIA.	PART #	LENGTH	GA	WT	REG. PRICE
3"	CDHAD-03	5.5	24	0.4	\$37.25
4"	CDHAD-04	4.0	24	0.6	\$37.25
5"	CDHAD-05	4.0	24	0.7	\$41.57
6"	CDHAD-06	4.0	24	0.9	\$48.84
7"	CDHAD-07	4.0	22	1.3	\$52.70
8"	CDHAD-08	4.0	22	1.5	\$56.41
9"	CDHAD-09	4.0	22	1.6	\$59.66
10"	CDHAD-10	4.0	22	1.8	\$63.36
11"	CDHAD-11	4.0	22	2.0	\$67.84
12"	CDHAD-12	4.0	22	2.2	\$67.84
14"	CDHAD-14	5.5	20	3.0	\$71.56
16"	CDHAD-16	5.5	20	3.5	\$74.95
18"	CDHAD-18	5.5	20	3.9	\$82.68
20"	CDHAD-20	5.5	20	4.3	\$85.31
22"	CDHAD-22	5.5	20	4.7	\$93.97
24"	CDHAD-24	5.5	20	5.2	\$107.88

Hose Adapter



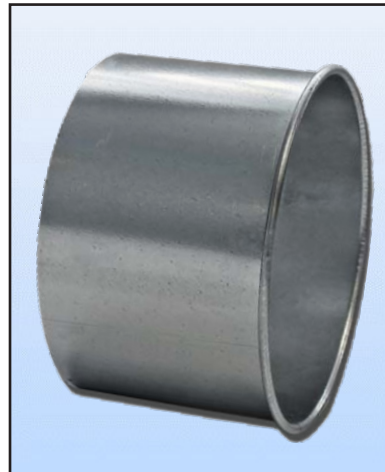
- Used to connect rubber flex hose
- Not designed for use with metal flex hose



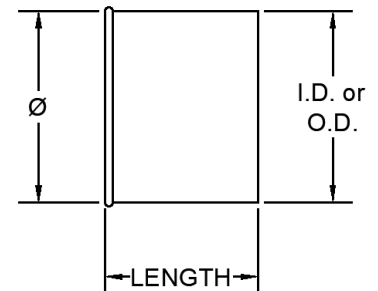
MACHINE ADAPTER

DIA.	PART #	GA.	WT.	REG. PRICE
3"	CDMAD-03	22	0.6	\$36.78
4"	CDMAD-04	22	0.8	\$36.78
5"	CDMAD-05	22	1.0	\$40.80
6"	CDMAD-06	22	1.1	\$47.91
7"	CDMAD-07	22	1.4	\$51.31
8"	CDMAD-08	22	1.5	\$55.33
9"	CDMAD-09	22	1.8	\$58.57
10"	CDMAD-10	22	2.0	\$62.43
11"	CDMAD-11	22	2.1	\$66.45
12"	CDMAD-12	22	2.3	\$66.45
14"	CDMAD-14	20	2.7	\$70.32
16"	CDMAD-16	20	3.2	\$73.57
18"	CDMAD-18	20	3.5	\$81.14
20"	CDMAD-20	20	3.9	\$83.92
22"	CDMAD-22	20	4.3	\$92.11
24"	CDMAD-24	20	5.6	\$106.17

Machine Adapter



- Raw end connector for machine parts and other connections
- Length: 4" - 5.5"
- Please specify raw end I.D. or O.D.



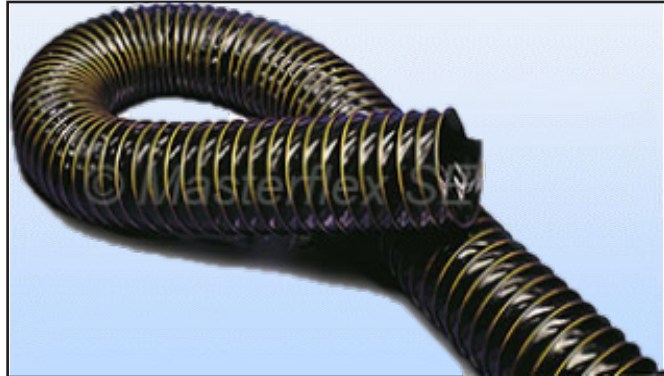
COIMA USA Hoses are premium grade and intended for use in tough environments such as dust collection where abrasion resistance, flame resistance, and overall durability are key.

Special pricing is offered for hoses sold in case lots of 25' (30' for 8", 10" & 12" diameter). See following page for pricing in 5' increments.

MPG - BLACK (PER CASE)

DIA.	PART #	CASE PRICE	PER FOOT
80mm	CHMPG-032-BX	\$243.00	\$9.72
90mm	CHMPG-036-BX	\$256.40	\$10.26
4"	CHMPG-040-BX	\$260.00	\$10.40
5"	CHMPG-050-BX	\$297.00	\$11.88
140mm	CHMPG-056-BX	\$308.20	\$12.33
6"	CHMPG-060-BX	\$320.60	\$12.82
160mm	CHMPG-064-BX	\$335.00	\$13.40
7"	CHMPG-070-BX	\$363.60	\$14.54
8"*	CHMPG-080-BX	\$480.96	\$16.03
10"*	CHMPG-100-BX	\$606.96	\$20.23
12"*	CHMPG-120-BX	\$730.08	\$24.34
PRICED PER BOX			
STOCKED IN 25' BOXES			
*STOCKED IN 30' BOXES			

Medium Duty



- Urethane blended polyester fabric
- More abrasion resistant than other general-purpose hoses
- Black sidewall and gold helix
- For typical shop equipment (i.e. Table Saws, Sanders, Edge Banders, etc.)

MPL - CLEAR (PER CASE)

DIA.	PART #	CASE PRICE	PER FOOT
1.5"	CHMPL-015-BX	\$224.60	\$8.98
2"	CHMPL-020-BX	\$232.40	\$9.30
80mm	CHMPL-032-BX	\$294.60	\$11.78
90mm	CHMPL-035-BX	\$312.80	\$12.51
4"	CHMPL-040-BX	\$340.80	\$13.63
5"	CHMPL-050-BX	\$398.80	\$15.95
140mm	CHMPL-056-BX	\$419.20	\$16.77
6"	CHMPL-060-BX	\$434.00	\$17.36
7"	CHMPL-070-BX	\$555.60	\$22.22
8"*	CHMPL-080-BX	\$743.52	\$24.78
10"*	CHMPL-100-BX	\$954.48	\$31.82
12"*	CHMPL-120-BX	\$1,077.84	\$35.93
PRICED PER BOX			
STOCKED IN 25' BOXES			
*STOCKED IN 30' BOXES			

Super Duty



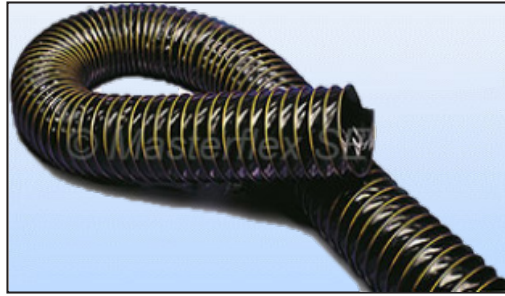
- 100% polyester/polyurethane
- Super abrasion resistant
- Flame resistant
- Food grade
- Translucent sidewall and gold helix
- For more abrasive applications (i.e. CNC's, Planers, & Moulders)

*Pricing for extra thick hose wall, odd sizes, additional metric sizes, larger diameters up to 24", and custom lengths are available upon request.

MPG - BLACK

DIA.	PART #	PER FOOT
80mm	CHMPG-032	\$12.15
90mm	CHMPG-036	\$12.82
4"	CHMPG-040	\$13.00
5"	CHMPG-050	\$14.85
140mm	CHMPG-056	\$15.41
6"	CHMPG-060	\$16.03
160mm	CHMPG-064	\$16.75
7"	CHMPG-070	\$18.18
8"	CHMPG-080	\$20.04
10"	CHMPG-100	\$25.29
12"	CHMPG-120	\$30.42
PRICED PER FOOT		
SOLD IN 5' INCREMENTS		

Medium Duty



- Urethane blended polyester fabric
- More abrasion resistant than other general-purpose hoses
- Black sidewall & gold helix
- For typical shop equipment (i.e. Table Saws, Sanders, Edge Banders, etc.)

MPL - CLEAR

DIA.	PART #	PER FOOT
1.5"	CHMPL-015	\$11.23
2"	CHMPL-020	\$11.62
80mm	CHMPL-032	\$14.73
90mm	CHMPL-035	\$15.64
4"	CHMPL-040	\$17.04
5"	CHMPL-050	\$19.94
140mm	CHMPL-056	\$20.96
6"	CHMPL-060	\$21.70
7"	CHMPL-070	\$27.78
8"	CHMPL-080	\$30.98
10"	CHMPL-100	\$39.77
12"	CHMPL-120	\$44.91
PRICED PER FOOT		
SOLD IN 5' INCREMENTS		

Super Duty



- 100% polyester/polyurethane
- Super abrasion resistant
- Flame resistant
- Food grade
- Translucent sidewall and gold helix
- For more abrasive applications (i.e. CNC's, Planers, & Moulders)

JUMPER HOSE CLAMP

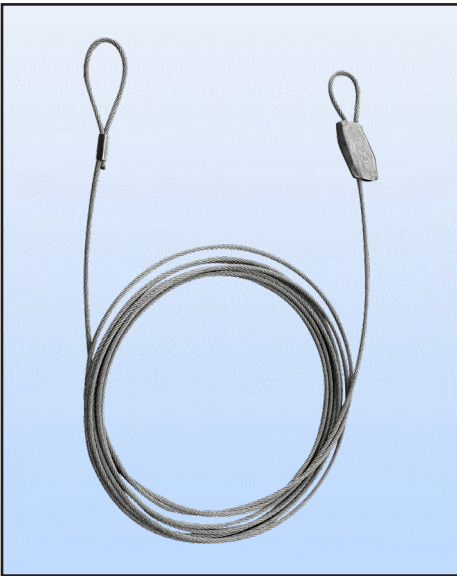
DIA.	PART #	WT.	REG. PRICE
3"	CHCAR-030	0.3	\$8.42
4"	CHCAR-040	0.5	\$9.53
5"	CHCAR-050	0.6	\$10.13
6"	CHCAR-060	0.7	\$10.51
7"	CHCAR-072	0.9	\$10.70
8"	CHCAR-080	1.0	\$11.43
10"	CHCAR-100	1.0	\$12.62
12"	CHCAR-120	1.2	\$14.32

Jumper Clamp - Stainless

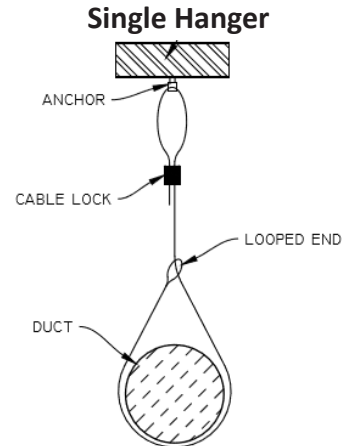


- Bridge conforms over wire helix for a more secure fit
- All stainless steel

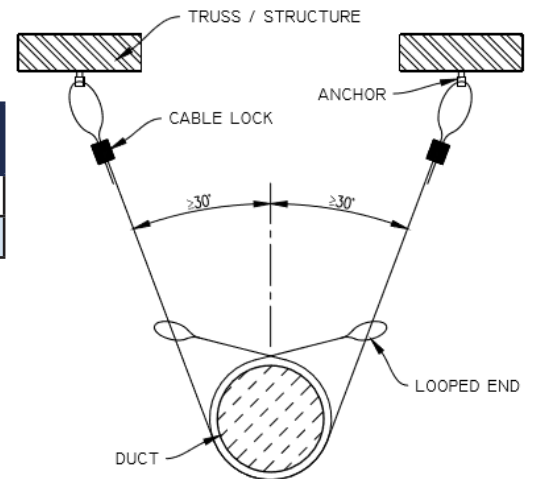
WIRE ROPE HANGER KIT



- 200 lbs holding capacity
- Includes (1) Cable Lock per rope
- Each rope features a swage-fixed looped end
- Available in 15' & 30' lengths
- Pack of ten includes release tool
- Longer lengths for taller ceilings available using spooled wire cut to length (see page 15)
- Save 10% when purchasing pack quantities

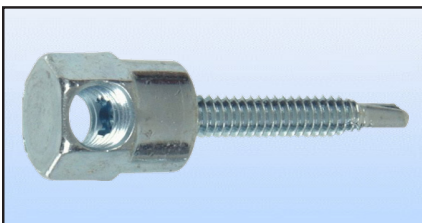


Double Hanger

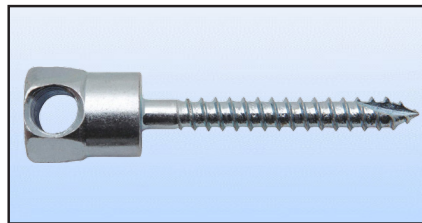


LENGTH	PART # (SINGLE)	SINGLE	PART # (BOX OF 10)	PACK OF 10
15 FT	CDHGR-15	\$15.95	CDHGR-15-BX	\$142.95
30 FT	CDHGR-30	\$23.95	CDHGR-30-BX	\$213.95

ANCHOR BOLT METAL



ANCHOR BOLT WOOD



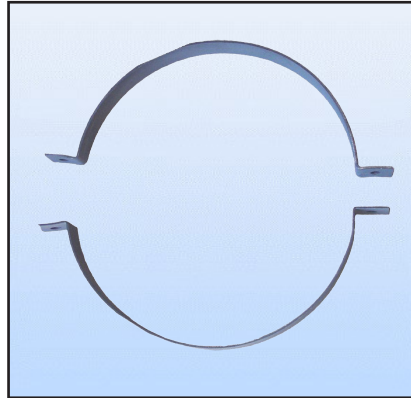
MATERIAL	PART # (SINGLE)	SINGLE	PART # (BOX OF 10)	PACK OF 10
WOOD	CDHAW-25	\$3.35	CDHAW-25-BX	\$30.00
METAL	CDHAM-25	\$3.35	CDHAM-25-BX	\$30.00

- 1,200 lbs Holding Capacity
- Adds wire rope suspension points to existing structure
- Wood or Metal applications available
- Integral eyebolt in fastener head for added strength
- Metal Anchor Bolts include security nuts
- Save 10% when purchasing pack quantities

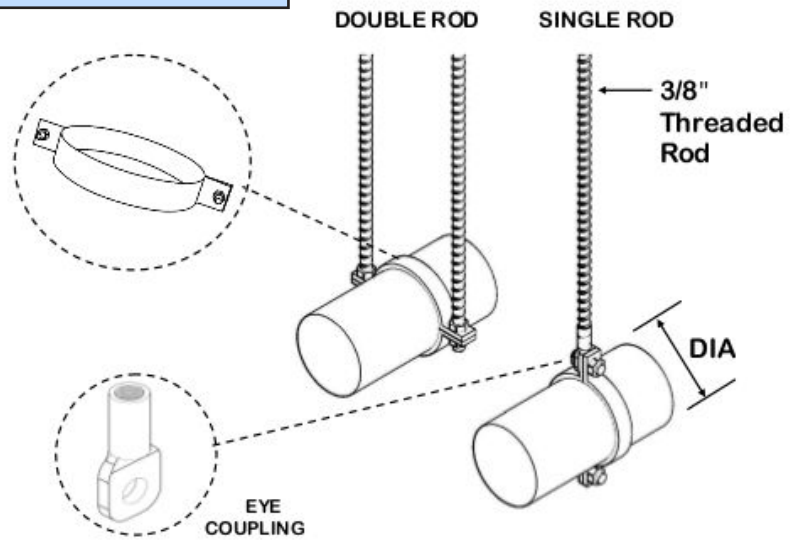
PIPE HANGER

DIA.	PART #	WT.	REG. PRICE
3"	CDPHA-03	0.4	\$13.30
4"	CDPHA-04	0.5	\$13.30
5"	CDPHA-05	0.5	\$14.52
6"	CDPHA-06	0.5	\$16.84
7"	CDPHA-07	0.6	\$16.84
8"	CDPHA-08	0.7	\$20.09
9"	CDPHA-09	0.8	\$25.03
10"	CDPHA-10	0.9	\$26.11
11"	CDPHA-11	1.0	\$29.20
12"	CDPHA-12	1.0	\$29.20
14"	CDPHA-14	1.2	\$33.23
16"	CDPHA-16	1.4	\$43.11
18"	CDPHA-18	1.5	\$45.75
20"	CDPHA-20	1.8	\$50.07
22"	CDPHA-22	6.0	\$61.66
24"	CDPHA-24	6.0	\$70.63

Pipe Hanger



- 1 ½" Wide 14 gauge galvanized construction
- Can be used as a single or double rod hanger



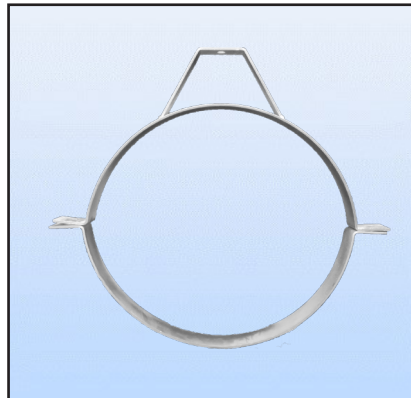
EYE COUPLING

DIA.	PART #	WT.	REG. PRICE
3/8"	CDECP-38	0.2	\$3.17

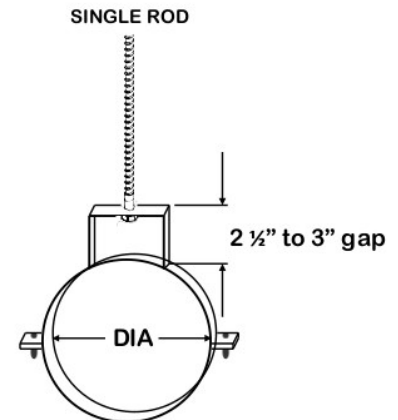
PIPE HANGER HJ

DIA.	PART #	WT.	REG. PRICE
3"	CDHJH-03	0.4	\$26.27
4"	CDHJH-04	0.5	\$26.27
5"	CDHJH-05	0.6	\$29.52
6"	CDHJH-06	0.7	\$33.39
7"	CDHJH-07	0.8	\$33.39
8"	CDHJH-08	0.9	\$39.88
9"	CDHJH-09	1.1	\$49.30
10"	CDHJH-10	1.1	\$52.55
11"	CDHJH-11	1.3	\$58.11
12"	CDHJH-12	1.4	\$58.11
13"	CDHJH-13	1.6	\$66.45
14"	CDHJH-14	1.8	\$66.45
16"	CDHJH-16	2.2	\$86.24
18"	CDHJH-18	2.8	\$91.02
20"	CDHJH-20	3.4	\$100.30
22"	CDHJH-22	4.1	\$123.02
24"	CDHJH-24	5.0	\$141.72

Pipe Hanger HJ



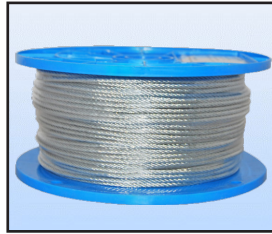
- 1 ½" Wide 14 gauge galvanized construction
- 3" to 24" 14 gauge galvanized construction
- Bolts are supplied with hanger



CABLE

DIA.	PART #	FT/ROLL	REG. PRICE
1/8	DTWR18500	500 FT	\$165.49

- Aviation grade galvanized rope



CABLE LOCK

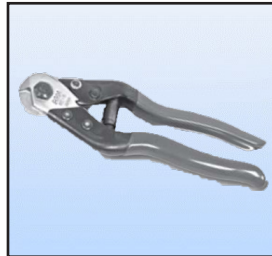
DIA.	PART #	MAX LOAD	REG. PRICE
1/8	DTCL18	250 LBS	\$54.88



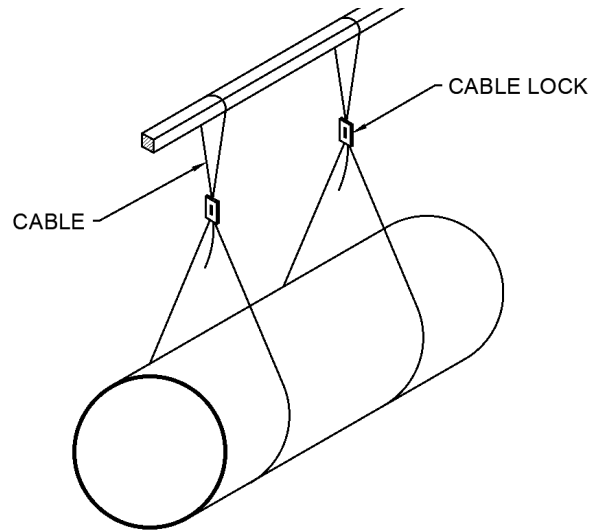
CABLE CUTTER

DIA. CUT RANGE	PART #	REG. PRICE
3/32"-3/16"	DTRWC	\$75.27

- Spring loaded for ease of use and safety



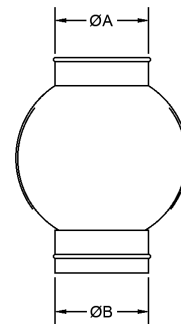
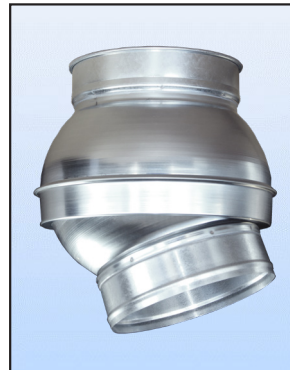
Cable Duct Hanger



BALL JOINTS

DIA.	PART #	LENGTH	WT.	REG. PRICE
3"	CDBJT-03	8.87	4.1	\$259.66
4"	CDBJT-04	9.50	2.4	\$271.64
5"	CDBJT-05	11.00	6.9	\$307.35
6"	CDBJT-06	11.75	3.9	\$343.23
7"	CDBJT-07	CALL	11.0	\$400.22
8"	CDBJT-08	14.00	5.0	\$457.23
9"	CDBJT-09	CALL	18.2	\$528.05
10"	CDBJT-10	14.25	9.5	\$600.41
11"	CDBJT-11	CALL	28.2	\$832.23
12"	CDBJT-12	15.25	16.0	\$671.86

Ball Joint



- Extends life of flex hose
- Used on CNC machines or other articulating equipment
- Zinc plated
- Specify rolled lip or hose end for B

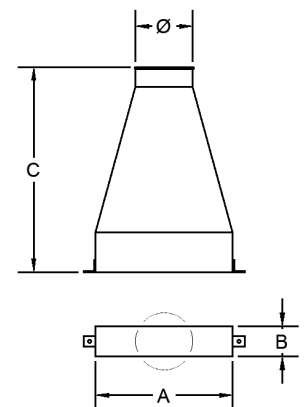
FLOOR SWEEPS

DIA.	PART #	A INCH	B INCH	C INCH	WT.	PRICE
4"	CDFSW-04	12	1.5	18	6.9	\$300.55
5"	CDFSW-05	16	1.5	18	7.3	\$315.68
6"	CDFSW-06	16	1.5	18	7.6	\$330.41

OTHER SIZES AVAILABLE

- Quick and effective floor cleaning
- Base flanges for anchoring to floor
- Cover flap closes sweep when not in use

Floor Sweep



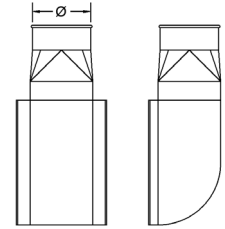
RADIAL ARM SAW HOOD

DIA.	PART #	GA	REG. PRICE
4"	CDRAS-04	18	\$460.85
5"	CDRAS-05	18	\$552.81
6"	CDRAS-06	18	\$600.72

Radial Arm Saw



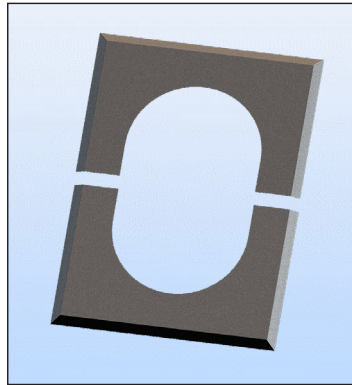
- Captures sawdust produced by radial saws, chop saws, etc.
- Curved hood design for ideal dust pickup
- 18 GA steel hood construction



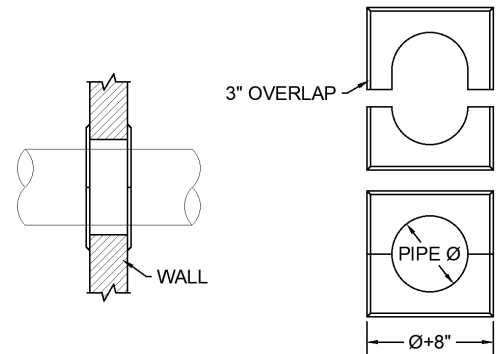
WALL FLASHING

DIA.	PART #	REG. PRICE
4"	CDWFL-04	\$138.53
5"	CDWFL-05	\$138.53
6"	CDWFL-06	\$138.53
7"	CDWFL-07	\$140.14
8"	CDWFL-08	\$141.74
9"	CDWFL-09	\$143.34
10"	CDWFL-10	\$144.93
11"	CDWFL-11	\$145.74
12"	CDWFL-12	\$146.55
14"	CDWFL-14	\$151.33
16"	CDWFL-16	\$220.60
18"	CDWFL-18	\$223.80
20"	CDWFL-20	\$228.60
22"	CDWFL-22	\$233.40
24"	CDWFL-24	\$239.80

Wall Flashing



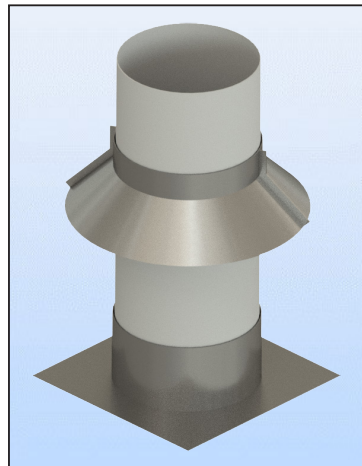
- Provides weather protection where ducts penetrate walls
- Each set includes two halves; order one set for each side of a wall needing protection
- Zinc plated steel provides lasting weather protection



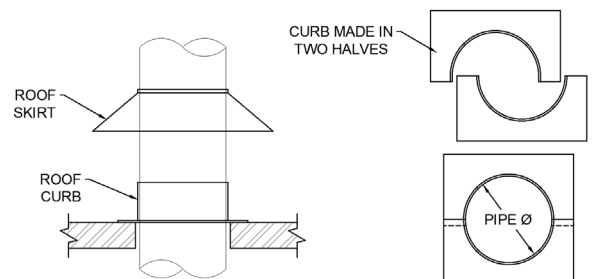
ROOF FLASHING

DIA.	PART #	REG. PRICE
4"	CDRFC-04	\$313.89
5"	CDRFC-05	\$321.30
6"	CDRFC-06	\$333.35
7"	CDRFC-07	\$342.93
8"	CDRFC-08	\$354.38
9"	CDRFC-09	\$369.20
10"	CDRFC-10	\$383.27
11"	CDRFC-11	\$436.59
12"	CDRFC-12	\$450.97
14"	CDRFC-14	\$479.56
16"	CDRFC-16	\$507.99
18"	CDRFC-18	\$539.52
20"	CDRFC-20	\$568.73
22"	CDRFC-22	\$657.75
24"	CDRFC-24	\$695.45

Roof Flashing



- Provides weather protection where ducts penetrate through roof
- Each set includes roof curb (2 pieces) and roof skirt (2 pieces)
- Roof skirt diverts rain away from curb at duct penetration



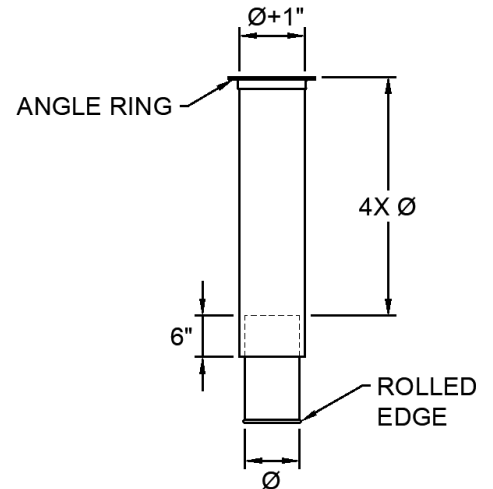
NO LOSS STACK HEAD

DIA.	PART #	GA.	REG. PRICE
4"	CDNLS-04	22	\$190.70
5"	CDNLS-05	22	\$206.48
6"	CDNLS-06	22	\$222.08
7"	CDNLS-07	22	\$244.49
8"	CDNLS-08	22	\$307.70
9"	CDNLS-09	22	\$330.11
10"	CDNLS-10	22	\$377.40
11"	CDNLS-11	22	\$409.55
12"	CDNLS-12	22	\$437.98
14"	CDNLS-14	20	\$523.91
16"	CDNLS-16	20	\$599.33
18"	CDNLS-18	20	\$822.18
20"	CDNLS-20	20	\$1,079.03
22"	CDNLS-22	20	\$1,199.58
24"	CDNLS-24	18	\$1,316.89
26"	CDNLS-26	18	\$1,450.10
28"	CDNLS-28	18	\$1,594.91
30"	CDNLS-30	18	\$1,755.48
32"	CDNLS-32	18	\$1,931.98

No Loss Stack Head



- Used for exhausting through roof
- Provides weather protection
- Eliminates back pressure from rain caps and other fittings



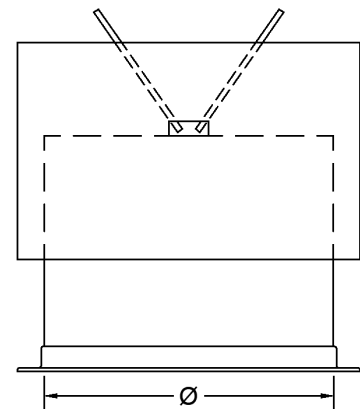
FLAP STACK

DIA.	PART #	REG. PRICE
8	CDFLS-08	\$354.38
10	CDFLS-10	\$383.27
12	CDFLS-12	\$450.97
14	CDFLS-14	\$479.56
16	CDFLS-16	\$507.99
18	CDFLS-18	\$539.52
20	CDFLS-20	\$568.73
22	CDFLS-22	\$657.75
24	CDFLS-24	\$695.45

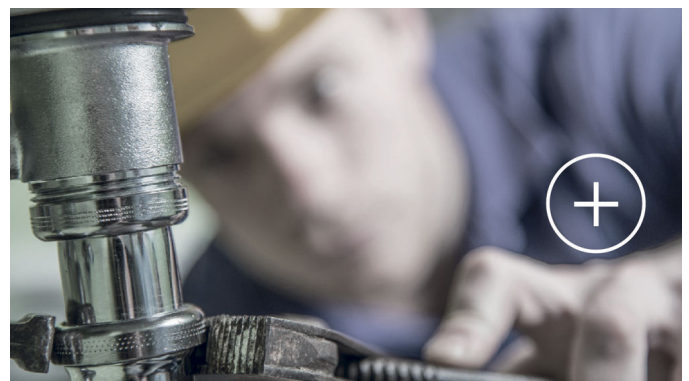
Flap Stack



- Butterfly style weather head
- Ideal for venting paint booth exhaust through roof
- Follows NFPA 33 guidelines for exhaust duct construction



- CAD DRAWING SERVICE
- CUSTOM DUCTWORK MANIFOLDS FOR EDGEBANDERS, MOULDERS, CNC ROUTERS, ETC.
- CUSTOM SHEET METAL HOODS
- SILENCERS (RECTANGULAR & ROUND, STANDARD & CUSTOM)
- LARGE DIAMETER DUCTING (FLANGED OR SPIRAL)
- HEAVY GAUGE DUCTING (TO 10 GA.)
- MANUAL AND AUTOMATIC DIVERTER VALVES
- WALL AND ROOF FLASHINGS
- JET CAPS
- TUBED ELBOWS
- IN-LINE BACK BLAST DAMPERS
- VIBRATION ISOLATORS
- BLEED-IN VALVES
- CLEAN OUT ACCESS DOORS
- IN-LINE SPARK TRAPS
- OIL MIST RECYCLERS
- HIGH TEMPERATURE AND CHEMICAL RESISTANT HOSES
- 304 STAINLESS STEEL DUCTING
- LEAK-FREE TUBING SYSTEMS FOR OIL MIST
- COMPLETE LINE OF SPIRAL DUCTING COMPONENTS AND ACCESSORIES



TERMS AND CONDITIONS PRICES:

Published pricing is subject to change without notice. COIMA USA has a policy to notify distributors (by email) of any price change a minimum of thirty (30) days prior to effective change.

Any sales/excise taxes required by law are to be added.

PAYMENT: On approved credit, payment terms are as follows:

ORDERS <\$10,000.00 Net order - Net 30 day terms from date product shipped from US location.

ORDERS >\$10,000.00 - \$20,000.00 - 30% deposit with order, 50% due when equipment is ready to ship, balance due within 30 days of shipping.

ORDERS >\$20,000.00 and above - 30% deposit with order, 60% due when equipment is ready to ship, balance due within 30 days of shipping from US port to customer location.

COIMA USA reserves the right to bill 1.5% per month interest charges for all past due invoices over thirty (30) days and modify payment terms for future orders.

FREIGHT: Shipment terms for COIMA USA Ducting Products are F.O.B. United States Point of Origin. Freight charges are the responsibility of the customer. Freight charges will be prepaid and added to invoice and sent best way.

UPON RECEIPT OF PRODUCT, BUYER, OR THEIR CUSTOMER, MUST IMMEDIATELY INSPECT SHIPMENT FOR DAMAGES AND PRODUCT SHORTAGES. ALL FREIGHT CLAIMS ARE TO BE MADE WITH THE FREIGHT CARRIER.

CANCELLATION OF ORDER(S): Products ordered that are not scheduled to be shipped from stock and are canceled by the customer are subject to payment in full at time of cancellation or to payment of incurred expenses at sellers discretion.

RETURNS: Restocking and warranty returns shall be as follows:

RESTOCKING RETURNS: Standard items shipped from US stock may be returned within 30 days of shipment and carry a 25% re-stocking fee. Product must be returned in new and re-salable condition and returned to COIMA USA freight prepaid. All other products specifically sourced to fulfill a customer order are non-returnable. To return a product, buyer must contact seller so that an RMA # can be issued. Credit, less 25% re-stocking fee will be issued upon receipt, inspection, and acceptance of product. Product must be returned within 30 days of RMA # issuance.

WARRANTY RETURNS: Within the warranty period, Seller will repair or replace defective items at its discretion. To return product, buyer must contact seller where an RMA # will be issued. Product must be sent freight prepaid for inspection to Seller. If product is to be repaired or replaced, new or repaired product will be returned to the Buyer at Seller's expense. If product must be sent to buyer prior to inspection, a purchase order for replacement product must be issued prior to shipment. Buyer must return defective product freight prepaid and will be credited for replacement product as long as it is deemed a warranty and returned in 30 days from RMA # issuance.

IN NO EVENT SHALL COIMA USA BE LIABLE FOR ANY SPECIAL, INDIRECT, INCIDENTAL, OR CONSEQUENTIAL DAMAGES OF ANY TYPE; INCLUDING, BUT NOT LIMITED TO, LOSS OF USE OF PRODUCTION FACILITIES OR EQUIPMENT, LOST PROFITS, PROPERTY DAMAGE, EXPENSE INCURRED IN RELIANCE ON COIMA USA'S PERFORMANCE HEREUNDER, OR LOST PRODUCTION, WHETHER SUFFERED BY BUYER OR ANY THIRD PARTY.

COIMAUSA 



727 S. Kenyon St.
SEATTLE, WA 98108
T. 206.454.7091
M. info@coimausa.com
W. www.coimausa.com

